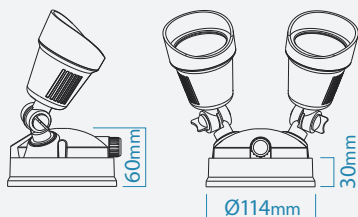


# PROXIMA-TRI

PROXIMA-TRI30

SAP CODE: 2002000

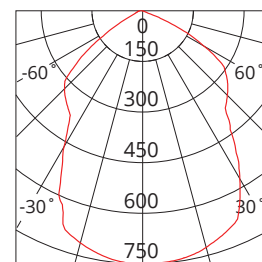


## 30W Twin Head LED Security Light

PROXIMA-TRI is a modern look aluminum LED security light with an optional adjustable PIR sensor.



Photometric Diagram



Unit: cd  
 - C0/180 90.0deg  
 - C90/270 90.0deg

### KEY INFORMATION

Lumen Output	2000 / 2200 / 2000lm
Input Power	30W
Hole Cutout Size	N/A
Install	SURFACE MOUNT
Dimming Options	Non-Dimmable
Fitting Colour	BLACK
Warranty	3yr
IP Rating	IP54
IK Rating	N/A
IC Rating	N/A
Rebate Scheme Approvals	N/A

### PHOTOMETRIC

Efficacy	67 / 73 / 67lm/W
LED	COB
CCT	3000 / 4000 / 5000K
CRI	>80
Beam Angle	100°

### ELECTRICAL

Supply Input	220-240V, 50/60Hz
Driver Output Voltage	N/A
Power Factor	>0.9
LED Input Current (nominal)	N/A
Useful life @Ta25° (L70)	50,000hr

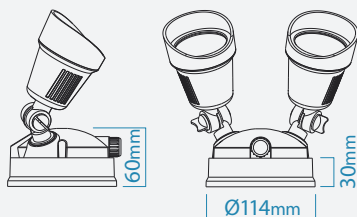
### CONSTRUCTION

Housing	Aluminium + Polycarbonate
Optics	PMMA (acrylic)
Adjustable Angle	0-180°
Fixings/Hardware	Mounting Plate
Connection Type	Terminal Block
Total Weight	0.8kg
Dimensions	Ø114 x 200mm
Operating Ambient Temp.	-20 to 40°C
Electrical Classification	Class 1

# PROXIMA-TRI

PROXIMA-TRI30-W

SAP CODE: 2002059

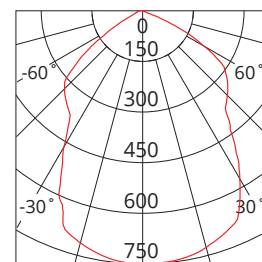


## 30W Twin Head LED Security Light

PROXIMA-TRI is a modern look aluminum LED security light with an optional adjustable PIR sensor.



Photometric Diagram



Unit: cd  
 - C0/180 90.0deg  
 - C90/270 90.0deg

### KEY INFORMATION

Lumen Output	2000 / 2200 / 2000lm
Input Power	30W
Hole Cutout Size	N/A
Install	SURFACE MOUNT
Dimming Options	Non-Dimmable
Fitting Colour	BLACK
Warranty	3yr
IP Rating	IP54
IK Rating	N/A
IC Rating	N/A
Rebate Scheme Approvals	N/A

### PHOTOMETRIC

Efficacy	67 / 73 / 67lm/W
LED	COB
CCT	3000 / 4000 / 5000K
CRI	>80
Beam Angle	100°

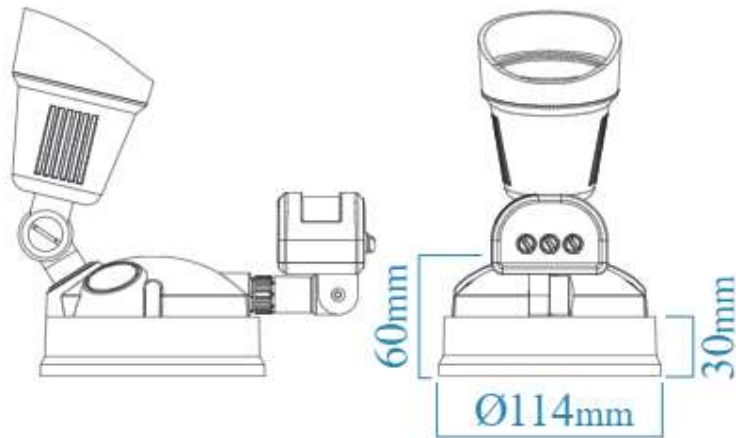
### ELECTRICAL

Supply Input	220-240V, 50/60Hz
Driver Output Voltage	N/A
Power Factor	>0.9
LED Input Current (nominal)	N/A
Useful life @Ta25° (L70)	50,000hr

### CONSTRUCTION

Housing	Aluminium + Polycarbonate
Optics	PMMA (acrylic)
Adjustable Angle	0-180°
Fixings/Hardware	Mounting Plate
Connection Type	Terminal Block
Total Weight	0.8kg
Dimensions	Ø114 x 200mm
Operating Ambient Temp.	-20 to 40°C
Electrical Classification	Class 1

# PROXIMA-TRI15 SENSOR



## Optional Accessories



**PIR Sensor (white)**

PROXIMA-PIR-B SAP 2002060



**PIR Sensor (Black)**

PROXIMA-PIR-B SAP 2002061

<b>Sensor Type</b>	Passive Infrared
<b>Detection Distance</b>	2 to 12m (Adjustable)
<b>Detection Range</b>	180°
<b>Ambient Light</b>	10 to 2000Lux (Adjustable)
<b>Time Delay</b>	10 sec (±3sec) to 7min (±2min)
<b>Manual Override</b>	Turn light off and on within 3s